



BDRCK-100/CT



BDRCK-400

Instruction Manual

Refrigerated Cake Displays

This manual contains important information regarding your unit. Please read this manual thoroughly prior to equipment set-up, operation and maintenance. Failure to comply with regular maintenance guidelines outlines in this manual may void the warranty.

WARNINGS

- This refrigerator must be installed with all electrical connections in accordance with state and local codes.
- When the unit is not being used for an extended period of time, unplug the unit from the outlet
- The unit should not be located next to ovens, grills or other sources of high heat.
- Do not attempt to repair or replace any part of this unit unless specifically recommended in this manual. All other servicing should be referred to a qualified technician.
- Never allow children to operate, play with or climb inside the refrigerator
- Never clean refrigerator parts with flammable fluids. These fumes can create a fire hazard or explosion. Do not store or use gasoline or other flammable vapors and liquids in the vicinity of this or any other appliance as the fumes can create a fire hazard or explosion.
- Do not connect or disconnect the electric plug when your hands are wet.
- Do not block the suction vents. These vents allow air to be sucked in and cold air to be circulated inside the refrigerator.
- Do not block air outlets
- Adjust the rack height for proper food storage
- Do not attempt to remove or repair any components
- Do not alter or tamper with the electrical cord
- Do not use this refrigerator for other than its intended purpose.
- Do not tilt unit more than 45 degrees.

FEATURES

1. Glass door
2. Glass Shelf
3. Caster

Glass Door _____

_____ Glass Shelf

Caster _____



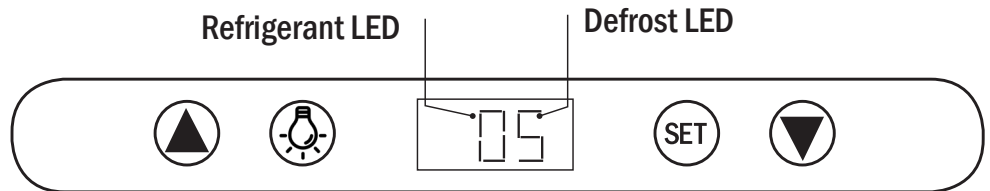
TO INSTALL:

1. Remove unit from box and make sure all plastic, tape and packaging materials are removed.
2. Place the unit on a flat, secure surface with at least 4" of open space around all sides.
3. Place the unit in an area that is not in direct sunlight or any other sources of heat.
4. Wait 2 hours before connecting to a power source
5. Plug the refrigerator into a 110-120V exclusive outlet. Do not use an extension cord. This unit must be plugged directly into an outlet.

TO USE:

The functions of the Digital Temperature Controller are:

- Temperature Display
- Temperature Control
- Manual and Automatic Defrost
- Illumination Control
- Value Storing
- Self-Testing
- Parameter Locking



DIGITAL CONTROLS

Set temperature:

- Press "SET" button to display the current temperature
- Press the up or down arrow to set the temperature desired
- Press "SET" again to save settings

Illumination

- Press "light bulb" button to turn lights on and off

Manual defrost

- Press "light bulb" button and hold for 6 seconds to start and stop defrost cycle

Refrigerant LED Light

- During refrigeration, the LED light will be on
- When temperature is constant, the LED light will be off
- During delay start, the LED light will flash

Defrost LED Light

- During defrosting, the LED light will be on
- When defrosting is complete the LED light will turn off
- During delay display of the defrost cycle, the LED light will flash

REGULAR MAINTENANCE

Cleaning

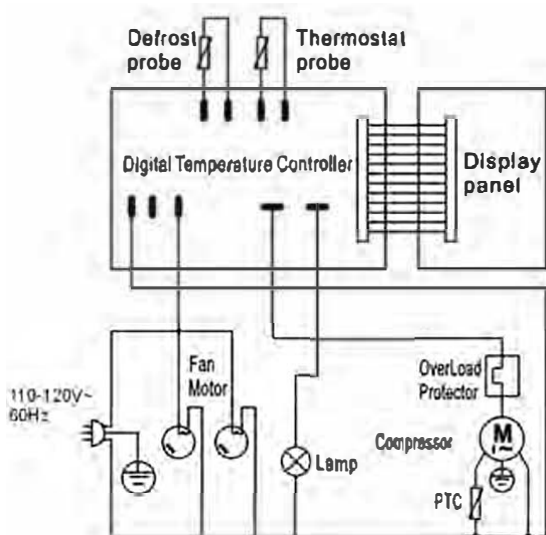
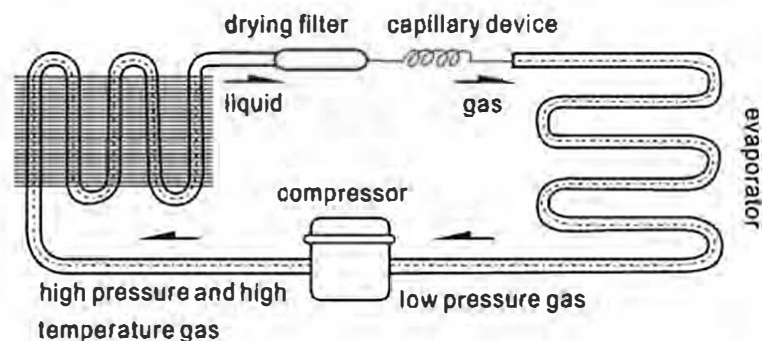
- Unplug the refrigerator before performing any maintenance.
- Use a soft cloth and neutral dish detergent to clean the outside of the refrigerator and then wipe with a soft dry cloth
- Remove the rack and wash with water. Use a soft cloth to wipe the inside of the unit.

TROUBLESHOOTING

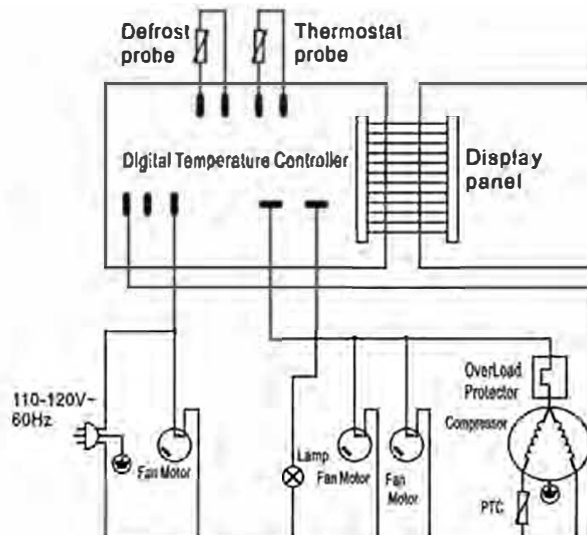
SYMPTOM	POSSIBLE CAUSE	CORRECTIVE ACTION
Unit is not operation	No power	Ensure plug is connected to outlet
Unit is not cooling efficiently	Insufficient refrigerant Thermostat set too high Overloading Air suction and outlets are blocked	Refill refrigerant Set thermostat to a lower temperature Remove some contents Move food away from outlets
Noisy Operation	Unit is against wall or other obstruction Unit is not level	Move away from obstruction Place on a level surface

NOTE: The murmur of water will be heard when the refrigerator is operational. This is the sound of coolant circulating throughout the system and is expected. Condensation may form on the outside of the refrigerator in humid conditions. This is not a malfunction. Simply use a cloth to remove it.

WIRING DIAGRAM



120/160



130-1/160-2

WARRANTY

ONE YEAR WARRANTY

Warrants to the original purchaser of this unit, the cabinet and all parts thereof, to be free from defects in material or workmanship, under normal use and service, for a period of one (1) year from the date of original installation or 1 year after shipment date, whichever occurs first.

Any parts covered by this warranty that are examined and determined to have been defective within one (1) year of original installation or 1 year after shipment date from manufacturer, whichever occurs first, shall be repaired or replaced as stated below. Shall be deemed to have fully complied with its obligation under the foregoing warranties by electing either one of the following procedures

- 1.Furnishing a replacement part, freight collect, in even exchange for the returned part, freight collect.
- 2.Receiving the defective part, freight collect; repairing it; and returning it, freight collect.

ADDITIONAL FOUR YEAR COMPRESSOR PART WARRANTY

In addition to the (1) one year warranty stated above, warrants its hermetically and semi-hermetically sealed compressor to be free from defects in both material and workmanship under normal use and service for a period of four (4) additional years from the date of original installation but not to exceed five (5) years and three (3) months after shipment from manufacturer.

Compressors determined to have been defective within this extended time period will be either repaired or replaced with a compressor or compressor parts of similar design and capacity.

The four (4) year extended compressor warranty applies only to hermetically and semi-hermetically sealed parts of the compressor and does not apply to any other parts or components, including, but not limited to, cabinet, paint finish, temperature control, refrigerant, metering device, driers, motor starting equipment, fan assembly any other electrical component, etc.

134A (404A) AND R290 COMPRESSOR WARRANTY

The four year compressor warranty detailed above will be voided if the following procedure is not carefully adhered to:

- 1.This system contains R134A (R404A) and R290 refrigerant and polyol ester lubricant. The Polyester lubricant has rapid moisture absorbing qualities. If long exposure to the ambient conditions occur, the lubricant must be removed and replaced with new. Failure to comply with recommended lubricant specification will void the compressor warranty.
- 2.Dryer replacement is very important and must be changed when a system is opened for servicing. Dryer must be used with XH-9 desiccant.
- 3.Micron level vacuums must be achieved to insure low moisture levels in the system. 500 microns or lower must be obtained.

WHAT IS NOT COVERED BY THIS WARRANTY

Obligation under warranty is limited to either repair or replacement of parts, subject to the additional limitations below. This warranty neither assumes nor authorizes any person to assume obligations other than expressly covered by this warranty.

- 1.WARRANTY IS NOT TRANSFERABLE. This warranty is not assignable and applies in favor of the original purchaser/user to whom delivered. Any such assignment or transfer shall void the warranties herein made and shall void all warranties, express or implied, including any warranty of merchantability or fitness for a particular purpose.
- 2.NO CONSEQUENTIAL DAMAGES. Not responsible for economic loss: profit loss or special, indirect, or consequential damages, including without limitation, losses or damages arising from food or product spoilage claims whether or not on account of refrigeration failure.
- 3.ALTERATION, NEGLIGENCE, ABUSE, MISUSE, ACCIDENT, DAMAGE DURING TRANSIT OR INSTALLATION, FIRE, FLOOD, ACTS OF GOD. Not responsible for the repair or replacement of any parts that have been subjected after the date of manufacture to alteration, neglect, abuse, misuse, accident, damage during transit or installation, fire, flood, or an Act of God.
- 4.NO IMPLIED WARRANTY OF MERCHANTABILITY OR FITNESS FOR A PARTICULAR PURPOSE. There are no other warranties, express, implied or statutory, except the one(1) year warranty and the additional four(4) year compressor warranty as described above. These warranties are exclusive and in lieu of all other warranties, including implied warranty and merchantability or fitness for a particular purpose. There are no warranties which extend beyond the description on the face hereof.
- 5.TRANSPORTATION COSTS. Will accept parts covered under this warranty freight collect, provided that shipment has received prior approval. Not responsible for any other transportation costs, but will ship freight collect parts either repaired or replaced under these warranties.
- 6.WARRANTY CLAIMS. All claims should include: model number of the cooler, the serial number of the cabinet, proof of purchase, date of installation, and all pertinent information supporting the existence of the alleged defect. Any action or breach of these warranty provisions must be commenced within one (1) year after that cause of action has occurred.
7. This equipment is intended for commercial use only and this warranty is void if equipment is used in other than a commercial application

WARRANTY REGISTRATION CARD

MAIL CARD IMMEDIATELY



This card must be mailed immediately after installation date for warranty to be in effect.

National Service America • 230 Park Ave, 3rd Floor WEST • New York, NY • 10169

_____ (Name of Business)		_____ (Dealer Purchased From)	
_____ (Address)	_____ (City)	_____ (State)	_____ (Zip Code)
_____ (Model Number)		_____ (Serial Number)	

This is to inform that I, _____
(Please print name of individual who owns business)

have had the above installed in my place of business _____
(Date of Purchase)

(Contact Phone Number) _____
(Contact E-mail) _____
(Signature of Individual Who Owns Business)

The above warranties are in effect from this installation date, or 90 days, whichever comes first.